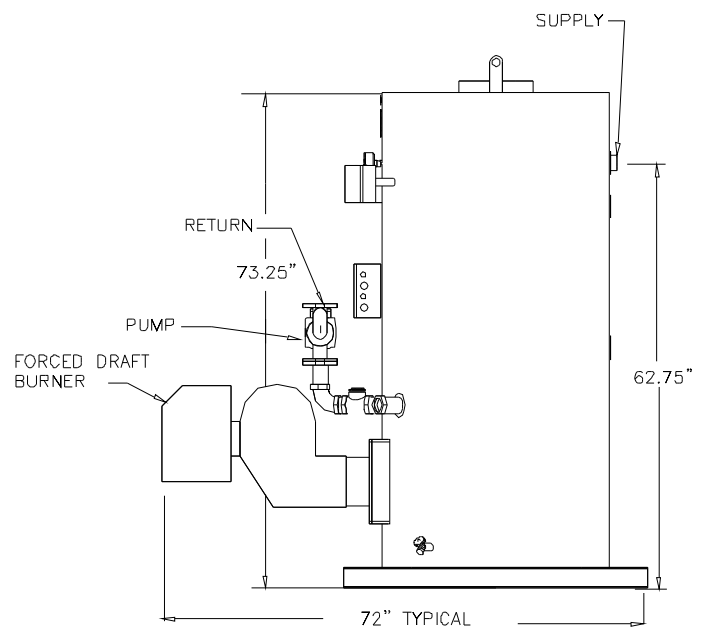
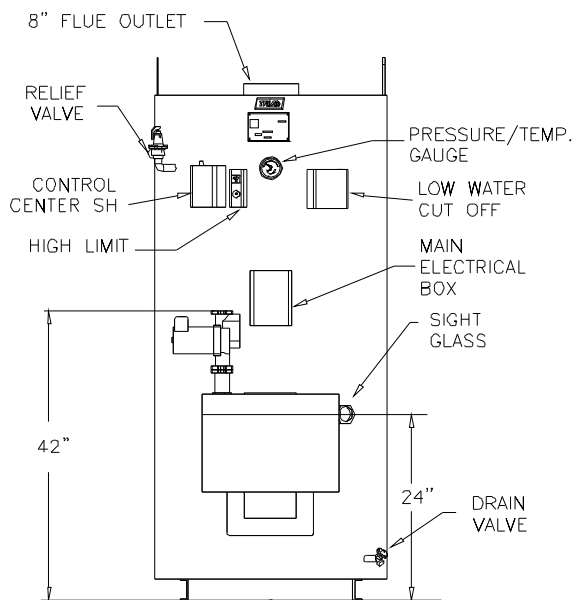
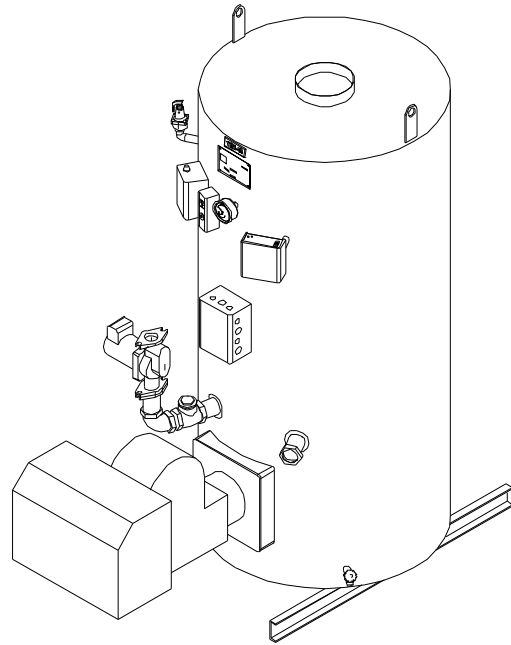
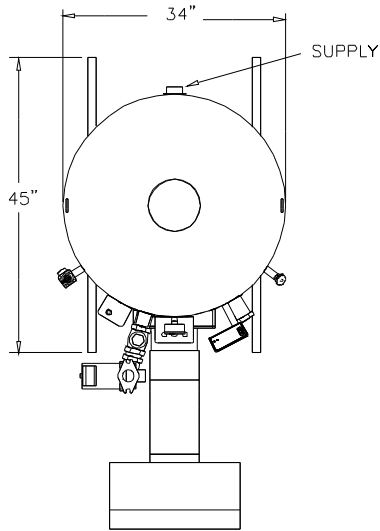




West Chicago, IL 60185  
Phone: 630-562-2700  
[www.triadboiler.com](http://www.triadboiler.com)

### TRIAD BOILER SYSTEMS, INC. SERIES 1600 SPACE HEAT BOILER



Note: Dimensions subject to change without notice.



## TRIAD BOILER SYSTEMS, INC. SERIES 1600 SPACE HEAT BOILER (Model SH)

The Series 1600 is a steel vertical firetube packaged boiler with a water-backed combustion chamber equipped with high-efficiency turbulators. Boilers come fully wired, and fit through a 36" doorway.

### STANDARD EQUIPMENT:

Low/High/Off Power Burner (UL Listed)  
Circulating Pump  
Honeywell Control Center  
Low Water Cut-Off  
Combination Pressure/Temperature Gauge  
Operating Light  
Relief Valve  
Second Safety High Limit with Manual Reset  
Vessel Pressure Rating of 125 PSI  
UL Listed Boiler/Burner Package.

### OPTIONAL EQUIPMENT:

Gas Fired (NG or Propane), Oil Fired, or Dual Fuel Burners  
UL, IRI, FM and CSD-1 Compliance  
Low/High/Low and Modulating Gas Trains  
Sealed Combustion Air Intake  
Barometric Dampers  
LWCO with Manual or Auto Reset, Test Light, and/or Test Button

### SPECIFICATIONS:

| <i>Input BTU/Hr</i> | <i>Output BTU/Hr</i> | <i>Efficiency</i> | <i>GPM @ °F Rise</i> |
|---------------------|----------------------|-------------------|----------------------|
| 1,400,000           | 1,162,800            | 83.0%             | 116.7 @ 20°F         |
| 1,500,000           | 1,245,000            | 83.0%             | 100.0 @ 25°F         |
| 1,600,000           | 1,328,000            | 83.0%             | 106.7 @ 25°F         |
| 1,700,000           | 1,411,000            | 83.0%             | 113.3 @ 25°F         |

Note: Typical for Natural Gas. - Oil or LP burner data may vary.

### APPLICATIONS:

Space Heating and Process Water – typically 140°F - 210°F

### CLEARANCES & CONNECTIONS:

Clearance recommended between boilers - 6"; From front of burner for service – 10".  
Supply & Return Openings – 2.00"

### CONTROL:

The Series 1600 can operate on its own controls, but a TRIAD microprocessor control panel is recommended for sequencing more than two boilers to minimize run-time and fuel usage.

**Flue:** Category I when applied appropriately.

**POWER:** 120V, 60Hz, Single Phase, fused for 30 amps. Min / Max gas pressure, typically 5.9" / 14" WC

### WEIGHT/VOLUME:

Shipping Weight – 1700 lbs.  
Operating Weight – 3037 lbs.  
Water Volume – 109 gallons

Factory built copper or steel mains available upon request.

ALL BURNER EQUIPMENT UL APPROVED

**TRIAD BOILER REPRESENTATIVE:**

### TRIAD Boiler Systems, Inc.

West Chicago, IL 60185  
Phone: 630-562-2700  
Fax: 630-562-2800  
Web: [www.com](http://www.com)